

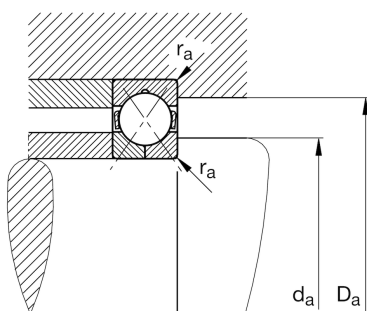
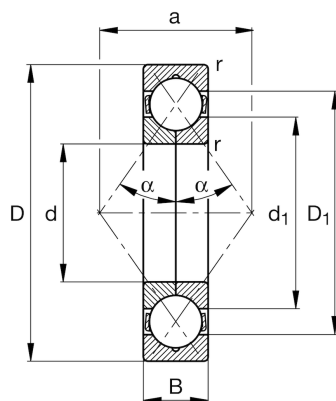
FAG

QJ222-MPA

Four-point contact bearing

Schaeffler ID:
0392895830000Four point contact bearing QJ2..-MPA,
solid brass cage

Technical information

**Main Dimensions & Performance Data**

d	110 mm	Bore diameter
D	200 mm	Outside diameter
B	38 mm	Width
C_r	249.000 N	Basic dynamic load rating, radial
C_{0r}	285.000 N	Basic static load rating, radial
C_{ur}	12.700 N	Fatigue load limit, radial
n_G	5.900 1/min	Limiting speed
n_{gr}	3.350 1/min	Reference speed
	5,66 kg	Weight

Dimensions

r_{min}	2,1 mm	Minimum chamfer dimension
D_1	169,8 mm	Shoulder diameter outer ring
d_1	141,7 mm	Shoulder diameter inner ring
a	109 mm	Distance between the apexes of the pressure cones
α	35 °	Contact angle

Mounting dimensions

$d_{a min}$	122 mm	Minimum diameter shaft shoulder
$D_{a max}$	188 mm	Maximum diameter of housing shoulder
$r_{a max}$	2,1 mm	Maximum fillet radius

Temperature range

T_{min}	-30 °C	Operating temperature min.
T_{max}	150 °C	Operating temperature max.